

Systems for Testing Properties of Hard Coal for coking



The MRS-1 Apparatus for Measuring of Expansion Pressure

Control unit

- ⇒ computer controlled testing
- ⇒ LCD flat colour display
- ⇒ measuring of expansion pressure by strain gauge
- ⇒ measuring of charge contraction (optional)
- ⇒ automatic data processing
- ⇒ data transfer by the network



NOVÁ HUŤ a.s. Ostrava, Záv.10 Koksárenský výzkum

Příprava měření

Měření

Tisk protokolu

Archív

Konstanty

Chlazení

Konec programu



DASFOS v.o.s. Technologické inovační centrum Ostrava

Konfigurace

Koeficienty

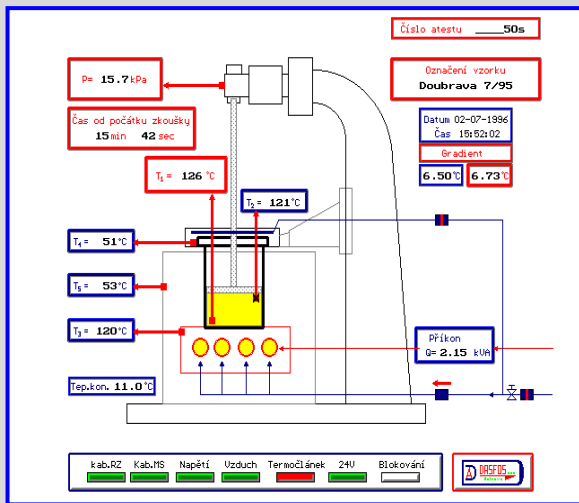
Rozsahy

Historie

Změna hesla

Software for controlling the expansions tests

- ⇒ communication by "menu"
- ⇒ easy system re-configuration
- ⇒ archiving of measured data
- ⇒ exact control of furnace unit
- ⇒ registration of events and faults
- ⇒ adjustment of safety limits
- ⇒ displaying of archived tests

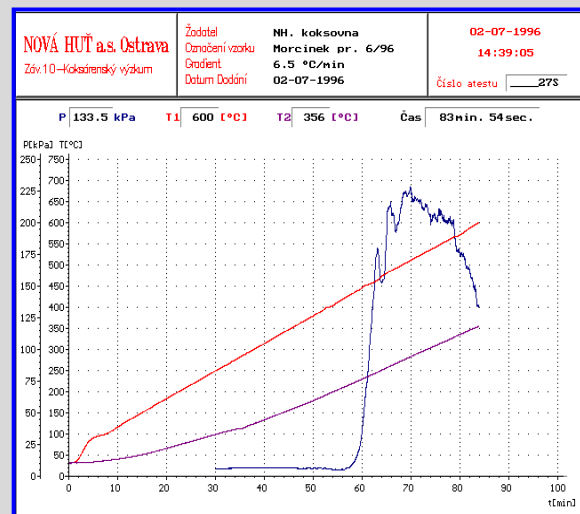


Technological scheme displayed on the screen

- ⇒ real time process monitoring
- ⇒ displaying of fault alarms
- ⇒ full visualisation of measuring
- ⇒ measuring and registration of five important temperatures
- ⇒ compensation of own thermal expansivity of the apparatus
- ⇒ auto-diagnostics of the apparatus

Five different graphical informations available

- ⇒ time chart of the expansion pressure
- ⇒ automatic scaling of graphs
- ⇒ displaying of numerical values of measured variables
- ⇒ complex evaluation of the test
- ⇒ colour print of the test report



DASFOS CZr, s.r.o. – Technology-Innovation Center

Bozkova 45, 702 00 Ostrava-Privoz, Czech Republic

Phone: +420 596 612 092

Fax: +420 596 612 094

E-mail: dasfos@dasfos.com

Web: <http://www.dasfos.com>

